

TECHNICAL SPECIFICATION

GROUND RECESSED FIXTURES - GRF9615 LED



Technical data

- Power: 3W
- Colour temperature: 4000-4300K
- Nominal voltage: 230V / 50-60Hz
- Lumens /whole fixture/: 210lm
- Protection against dust and moisture: IP65
- Light source: CREE LED
- Colour rendering index: Ra≥80
- LED driver: mounted in the body
- Average Lifetime: 30 000h
- Operating temperature: -20° ÷ + 65°C
- Housing: aluminum
- Diffuser: tempered glass
- Body colour: dark grey
- Housing dimensions: 279x73x112mm
- Installation: recessed outdoor ground mounting

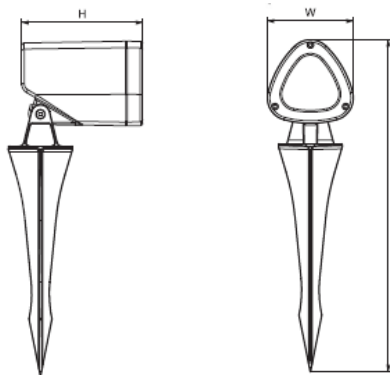
Areas of application

- Suitable for outdoor use
- Gardens
- Parks

Product benefits

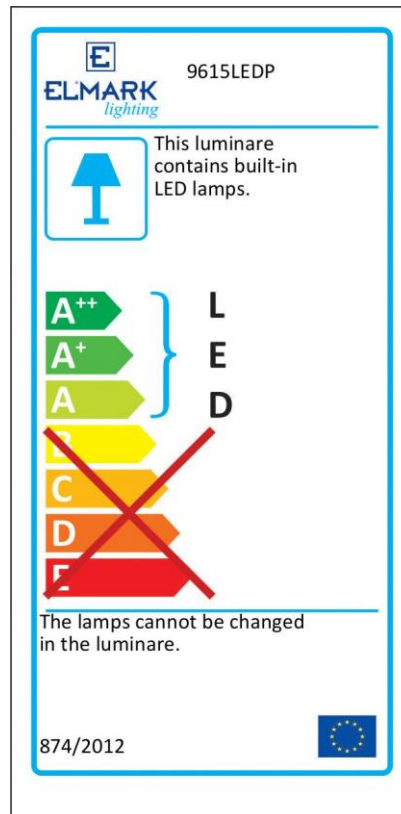
- Highly efficient replacement of conventional lighting fixtures
- Low power consumption
- Repeated switch on/off does not affect the lifespan of the fixture
- Instant light with maximum luminous flux
- Environmentally friendly - no mercury and lead
- No ultraviolet and infrared rays
- Resistant to shock and vibration stable body
- Low heat emission
- Compact size

Variants and dimensions



Watt	LED chip lumens (lm)	Whole fixture lumens (lm)	Colour temp. (K)	Colour aluminum ring	Size			Catalogue number	Packing (pcs)
					L	W	H		
3W	270	210	4000-4300K	dark grey	279	73	112	9615LEDP	16

Energy efficiency



Barcodes

Barcode	Catalogue number
3800131186454	9615LEDP

Standards

EN 55015

EN 61000-3-2

EN 61547

EN 60598-1; EN 60598-2-2

